

# 4000 Advanced Technology Transmitter

## Maintenance & Spare Parts



Name \_\_\_\_\_

Company \_\_\_\_\_

Tel: \_\_\_\_\_

Fax: \_\_\_\_\_

E-mail: \_\_\_\_\_

Date: \_\_\_\_\_

Date Parts Required: \_\_\_\_\_

Item	Part No.	Description	Quantity
1	08-09220*	Sensor Assembly	
2	08-10671-00x*	CPU Board Assembly with EPROM x - depending on communications	
3	P117-01-004*	P117-01-0043 Volt Batteries, quantity 2 required	
4	08-10702*	Terminal Board Assembly	
5	08-11515*	GPE Communications Module	
6	08-10674*	Mark/Space Communications Module	
7	08-10677*	EIA-485 Communications Module	
8	08-10680*	Mark/Space Matrix Communications Module	
9	08-10683*	Whessoe Bus Communications Module	
10	08-10828*	TIWAY Communications Module	
11	08-10909*	L&J Tankway Communications Module	
12	13-11569*	O-Ring Upgrade Kit	
	13-05956-102	Adapter kit for mounting to L&J 92514, 92020 and 92030 gauges	
	13-05956-202	Adapter kit for mounting to L&J 92006 and Whessoe Varec 2006, 2026, and 2036 gauges	

Delivery Address: \_\_\_\_\_

**Note!** \* Recommended spare parts to keep in stock per 10 instruments installed (select the appropriate communications module based on your product configuration)  
**Note!** All items not listed here require factory servicing due to the critical alignments required when replacing spare parts - Please consult the factory

Billing Address: \_\_\_\_\_

End User Information: \_\_\_\_\_  
 (Name, Company, City, State, Zip)

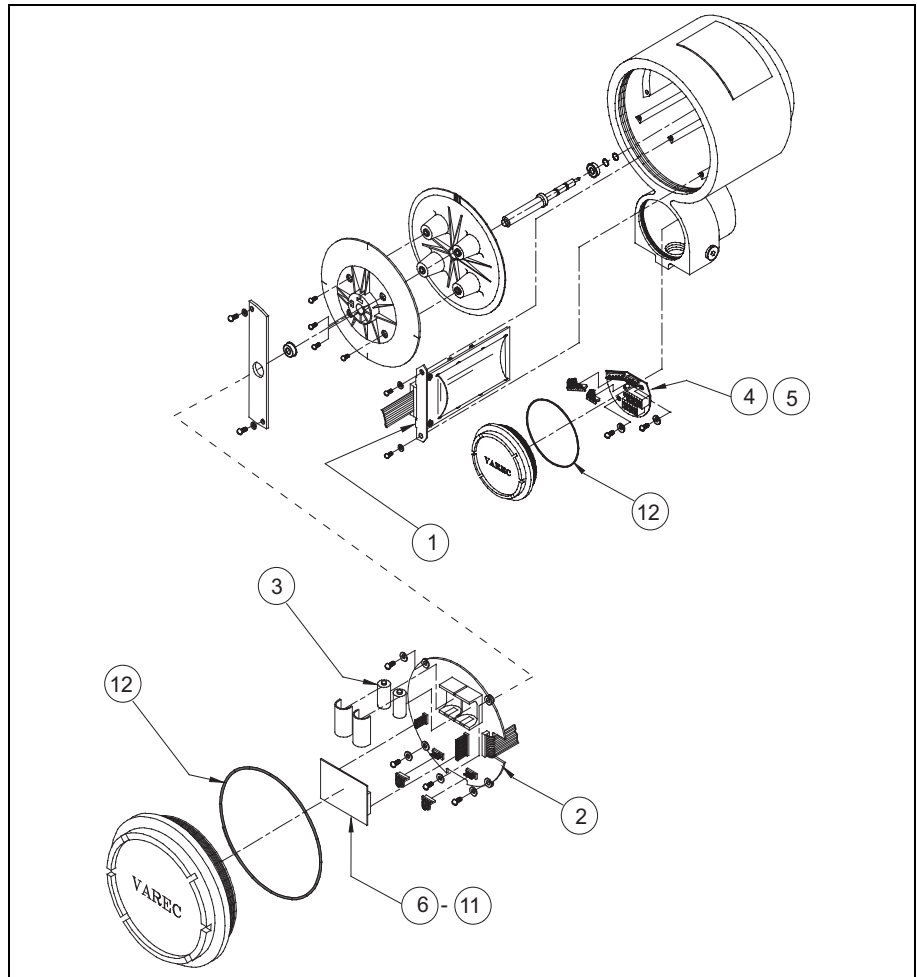
Purchase Order Number: \_\_\_\_\_

Shipping Instructions: \_\_\_\_\_

Special Instructions: \_\_\_\_\_

Ordering Instructions: \_\_\_\_\_

When ordering spare parts refer to the diagram for item numbers. Complete this form in full and then fax-back to (770) 810-9456, or contact your Varec local representative:



[www.varec.com](http://www.varec.com)