

2900 Float & Tape Transmitter

Maintenance and Spare Parts



Name _____

Company _____

Tel: _____

Fax: _____

E-mail: _____

Date: _____

Date Parts Required: _____

Delivery Address: _____

Billing Address: _____

End User Information: _____

(Name, Company, City, State, Zip)

Purchase Order Number: _____

Shipping Instructions: _____

Special Instructions: _____

Ordering Instructions:

When ordering spare parts refer to the diagram for item numbers. Complete this form in full and then fax-back to (770) 810-9456, or contact your Varec local representative:

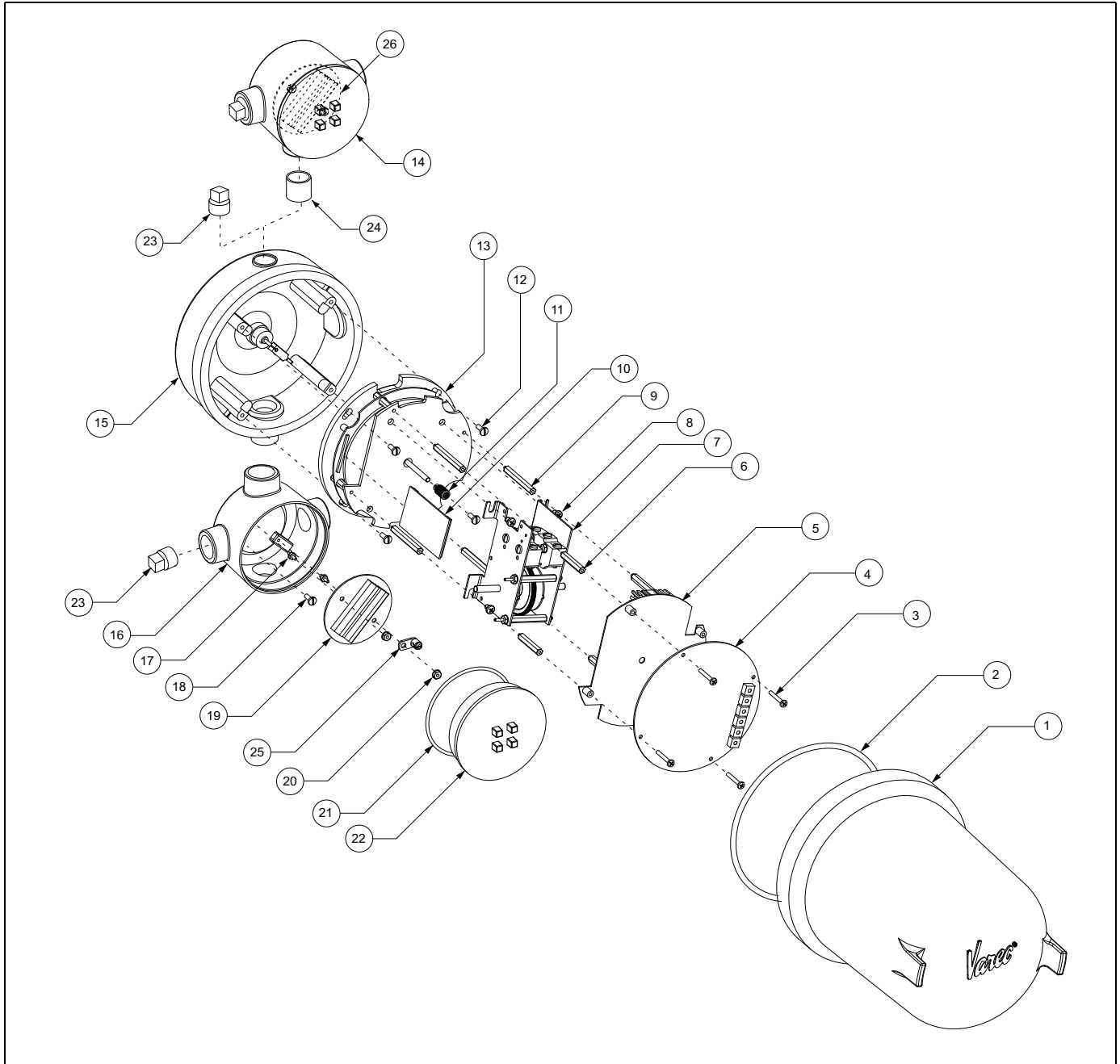
Item	Part No.	Description	Quantity
1	D5235-011	2900 FTT enclosure cover	
2	P104-18-5235	Enclosure cover O-ring	
3	283061477	Communications board machine screw (x4)	
4a	08-12842-1*	Mark/Space communications PCB	
4b	08-12829*	EIA-485 communications PCB	
4c	08-12842-2*	L&J Tankway communications PCB	
4d	08-12830*	GPE communications PCB	
4e	08-12831*	Whessoe Bus communications PCB	
5	08-12836	AC power supply & input/output PCB	
6	P102-21-102	1.5" PCB standoff (x4)	
7a	06-01429-ACA	Limit switch assembly (2 switches)	
7b	06-01429-AEA	Limit switch assembly (4 switches) - not shown	
8	283061477	Limit switch assembly screw (x4)	
9	P102-21-106	1.75" PCB standoff (x4)	
10a	08-12839	Long connections PCB	
10b	08-12848	Short connections PCB	
11	Supplied with 7a or 7b	Worm Gear	
12	P31-807	Optical encoder assembly mounting screw	
13	BME10290*	Optical encoder assembly	
14	P109-18-011	Terminal junction box assembly (includes parts 16, 21, 22, 23x3)	
15a	B10290-100	Enclosure base assembly (includes part 14x1 (junction box) mounted bottom and part 24)	
15b	B10290-200	Enclosure base assembly (with optional AC power supply (includes part 14x2 (junction boxes) mounted top and bottom and part 24)	
16	NA	Terminal junction box base	
17	P31-983	Terminal junction box PCB mounting bolt	
18	P109-18-011	Terminal junction box ground screw	
19	08-08744*	Terminal junction box PCB	
20	P31-984	Terminal junction box hex nut	
21	P104-18-001	Terminal junction box o-ring	
22	NA	Terminal junction box cover	
23	P109-16-034	3/4" Close up plug	
24	B15590	Nipple assembly and wire bundle	
25	P102-02-094	Ground Connector	
26	08-12856	DC Terminal Board	
Part Kit	06-01284-1	Optical encoder assembly with PCB mounting posts (contains parts 13, 12x4, 10b, 6x4)	
Part Kit	06-01284-2	Optical encoder Assembly with PCB mounting posts +AC power	
Part Kit	06-01283-1	Optical encoder assembly with two (2) SPDT limit switches (contains parts 13, 12x4, 11, 10a, 9x4, 8x4, 7a, 6x4)	
Part Kit	06-01283-2	Optical encoder assembly with four (4) SPDT limit switches (contains parts 13, 12x4, 11, 10a, 9x4, 8x4, 7b, 6x4)	
Part Kit	06-01283-3	Optical encoder Assembly with (4) SPDT limit switches	
Part Kit	06-01283-4	Optical encoder Assembly with (4) SPDT limit switches + AC power	
Part Kit	06-10290	Terminal junction box assembly w/surge protector board	
Part Kit	B15590	Nipple assembly and wire bundle	
	13-05956-102	Adapter kit for mounting to L&J 92514, 92020 and 92030 gauges	
	13-05956-202	Adapter kit for mounting to L&J 92006 and Whessoe Varec 2006, 2026, and 2036 gauges	

Note! * Recommended spare parts to keep in stock per 10 instruments installed (select the appropriate communications PCB based on your product configuration)

Note! Refer to next page for spare part diagram.

www.varec.com

2900 Float & Tape Transmitter Spare Parts



Note! Refer to previous page for individual part numbers.